

Orion INS

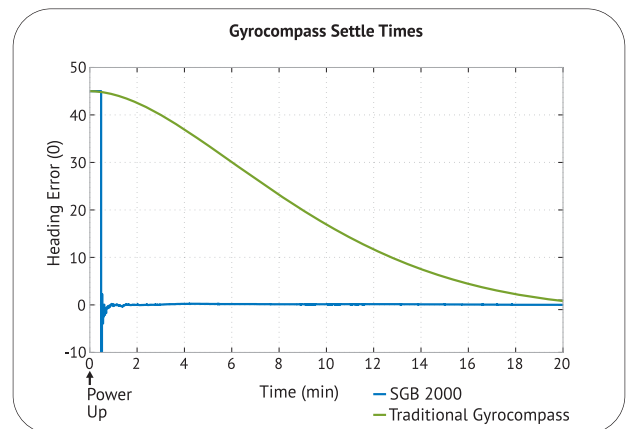
Inertial Navigation Systems

Providing outstanding performance in all sea conditions

Orion INS has been specifically designed for the demanding hydrographic survey, offshore construction and ROV operations markets.

Orion incorporates three single axis ring laser elements and three highly accurate accelerometers. These specific components, widely used in many of the world's commercial aircraft, were chosen for Orion because of availability, accuracy and their very high meantime between failures.

These core elements enabled the TSS research and development team to design this high specification Inertial Navigation System which is configured and controlled by the latest easy-to-use interface – OrionView.



PRODUCT FEATURES AND BENEFITS

- 0.1° heading with single GPS antenna aiding
- Heave 5cm or 5% of range whichever is greater
- 0.01° roll, pitch
- Speed and position outputs
- Latitude and speed corrected
- IMU raw data outputs
- RLG MTBF of 300,000 hours
- Three configurable I/O Channels
- Easy set-up using OrionView software
- Surface and subsea options (aluminium or titanium)



TELEDYNE TSS
Everywhereyoulook™

Orion INS

Inertial Navigation Systems

Orion IMU incorporating Honeywell GG1320 ring laser gyros

The Orion INS is aimed at meeting the needs of users in the offshore subsea construction and survey industries who need a dependable and competitively priced reference system. It can provide precise attitude, heading and heave data and is suitable for a wide range of applications such as supporting multibeam sonar surveys or the construction of major seabed installations. The subsea version is available rated to 6000 metres while the surface model can be used in the most extreme sea conditions to provide users with the valuable benefit of minimal downtime.

Dependability has been built-in by TSS with the painstaking selection of components and software developed to meet the demands and expectations of its users. TSS engineers have dedicated the past two years to the creation of a software algorithm that will exceed industry expectations for performance and reliability. It is a development of an existing marine algorithm that has been refined by TSS over 20 years of successful use in the most demanding applications offshore.

The algorithm will process the data generated by three separate ring laser gyros (RLG) that have been chosen for their dependability and accuracy. They can be used at operating temperatures ranging from -10°C to +55°C and require a settling time of less than 15 minutes. Manufactured in the USA, the RLGs are widely used in the aviation industry, and consequently offer users the reassurance that comes from working with proven advanced technology. The accelerometers employed within the Orion are equally highly regarded and are built into the new Orion at TSS International's advanced UK workshops where quality

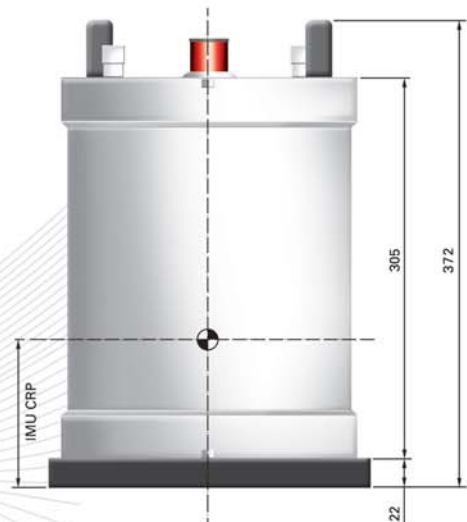
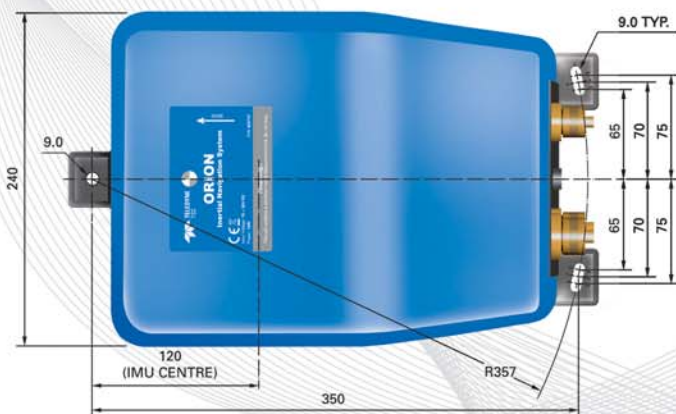


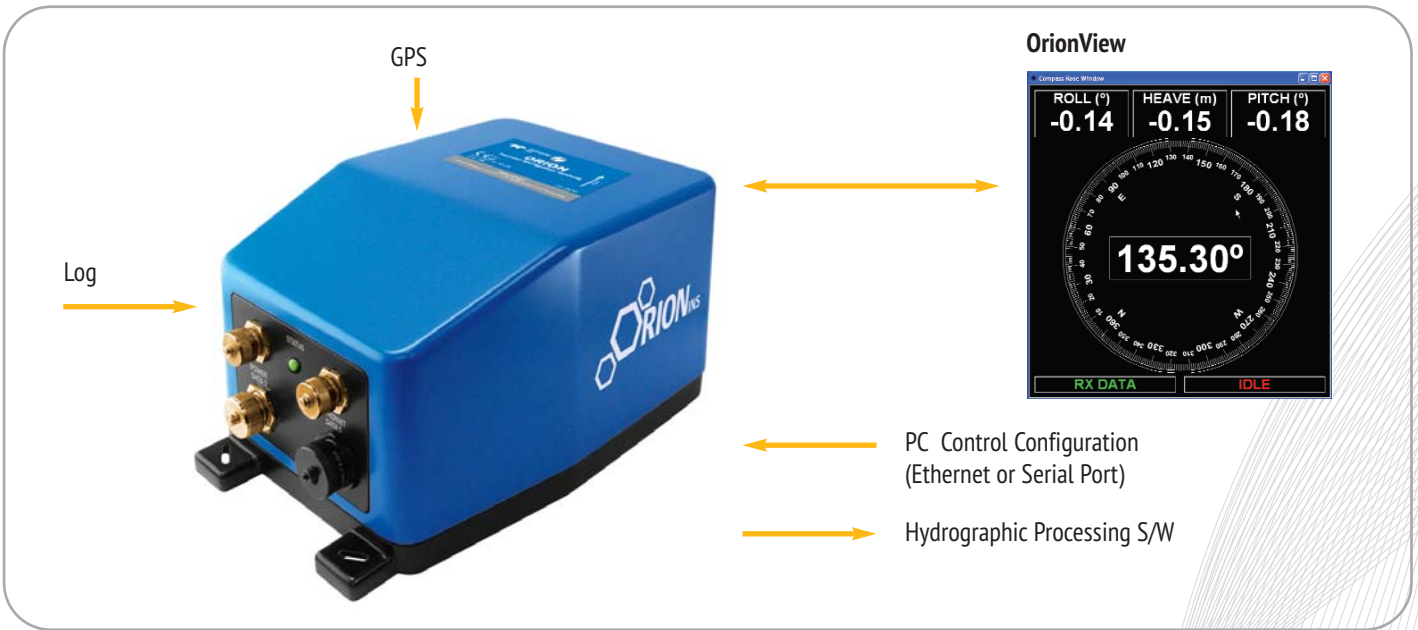
control is maintained to the highest standards possible. The new Orion system consequently offers a MTBF (Mean Time Between Failure) of 30,000 hours while its key individual components are rated at 300,000 hours MTBF.

The performance of the Orion's components and software means that users will benefit from heading resolutions accurate to 0.001° and pitch measurements to within 0.025° through a range of ±90°. Heave measurements are accurate to 5 cm or 5 per cent over ranges to ±99m and free inertial positioning remains accurate to 5 NM/hour.

Mounting arrangements - Surface version housing dimensions

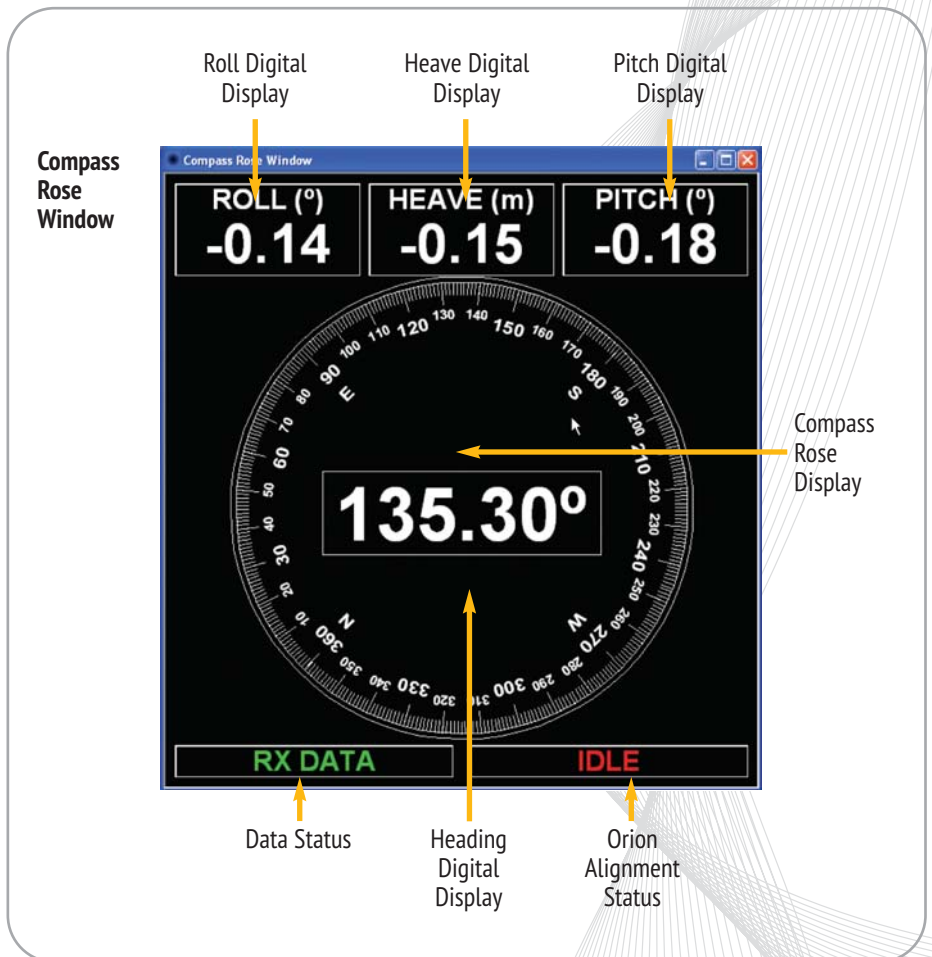
Sub-sea mounting arrangement - Vertical





OrionView

The Orion customer package includes OrionView for Windows, a graphical user interface designed to operate on Microsoft® Windows™ XP or later. It can be used to configure the Orion operating parameters and display transmitted data from all connected channels. Alternatively, the Orion can be configured using any terminal emulation program available on a connected PC, i.e. Hyper Terminal.



Orion INS

Inertial Navigation Systems

TECHNICAL SPECIFICATIONS

Heading	Accuracy Resolution Settling time Heading Data Latency	0.1° RMS secant latitude 0.01° (or as dictated by the O/P packet format) <30 minutes to within 0.70° <30 ms
Roll and Pitch	Range Dynamic Accuracy Resolution Limits Axis alignment Data Latency	-90° <pitch <+90°, -180° < roll ≤180° 0.01° 0.01° None <0.005° <3 ms
Heave	Accuracy Bandwidth Range Resolution	5cm or 5% whichever is greater 0.05-10 Hz ± 99 m 1cm
Position	Free Inertial	<5 nautical miles/hour
Data Parameters	Serial Outputs Data Protocols Data output rate Baud Rate Data Bits Stop Bits Parity Data output formats	3 configurable I/O Channels RS232 and RS422 Up to 200Hz 1200 – 115,200 7 or 8 1 or 2 None, even or odd TSS1, TSS HHRP, TSS1 + NMEA HDT, TSS1 with remote heave, TSS3, Simrad EM1000, Simrad EM1000 with remote heave, Simrad EM3000, Simrad EM3000 with Remote Heave, Atlas, NMEA PRDID, BMT1, Polled, GGA, VTG, User Configurable.
Raw Data Output	Rates & Accelerations	Fully corrected at 100 Hz
Aiding	GPS	NMEA 0183 GGA and VTG
Environmental	Ambient operating temperature Shock (survival) Housing: Surface Subsea 3000m Subsea 3000m	-15° to +55°C (operating); -20 to +70°C (storage) 10g IP65 rated Cast Aluminium Aluminium Titanium
Physical	Dimensions: Surface Subsea 3000m (aluminium) Subsea 3000m (titanium) Weight: Surface 3000m Subsea 3000m (aluminium) Subsea 3000m (titanium)	380mm (l) x 240mm (w) x 180mm (h) (including connectors) 242mm (d) x 390mm (h) (including connector) 229mm (d) x 366.5mm (including handles) 13Kg 20Kg in air; 6.5Kg in water 26Kg in air; 12.8Kg in water
Electrical	Power requirement	18-36Vdc 20W
Regulatory Approval	Type approved to marine equipment directive (IEC 60945)	
MTBF	System RLGs and Accelerometers	>30,000 hours (calculated) >300,000 hours
Warranty	12 months international warranty including parts and labour.	

**COMPANY WITH
MANAGEMENT SYSTEMS
CERTIFIED BY DNV**
= ISO 9001 =
= ISO 14001 =

Specifications subject to change without notice.
© 2012 Teledyne TSS, Inc. All rights reserved.



www.teledyne-tss.com

Head Office
1 Blackmoor Lane,
Croxley Green Business Park,
Watford, Hertfordshire
WD18 8GA, UK
Tel: +44 (0)1923 216020
Fax: +44 (0)1923 216061
Email: tsssales@teledyne.com

Aberdeen
10 The Technology Centre,
Aberdeen Science & Energy Park,
Claymore Drive, Bridge of Don,
Aberdeen AB23 8GD, UK
Tel: +44 (0)1224 707081
Fax: +44 (0)1224 707085
Email: tsssales@teledyne.com

Houston
10801 Hammerly Blvd,
Suite 128,
Houston TX 77043, USA
Tel: +1 713 461 3030
Fax: +1 713 461 3099
Email: tsssales@teledyne.com