



VISI-PLUS SUNBLINDS

For many years Observator Instruments is the supplier of Visi-plus sunblind's. These sunblind's works heat defended but keeps the view. Contrary to the normal sunblind's, which are often made of a fine profile the visi-plus sunblind's is made of a high value foil in order to realize a clear view.

Visi-plus is a very good solution to keep the view during a sunny or misty day. The sunblind's are used on inner vessels as well as seagoing vessels. However, these blinds are also very suitable in traffic-towers (airport) or any other area were the sun can be of hindrance and a clear view is necessary.

The foil will be produced on a rolling system and therefore very user friendly.

Features:

- Visi-Plus sunblinds is produced in order to create a better view.
- Gives better view by sunny or misty weather
- Reduces the glittering of the water
- Avoids inconvenient reflection of sunlight on screens
- Reduces warmth
- Colourfast
- Not annoying for remaining shipping traffic (no golden or silver coloured outside layer)
- Easy to clean
- SI approved
- Complies with the international rules en regulations for bridge division and bridge equipment NEN and ISO 8468.



Sunblinds at a traffic-tower.



Sunblinds installed at a moter vessel

Visi-plus sunblinds

There are various Visi-plus sunblind versions available. There is a variety of control panels and models.

Control panels

- **Cord guided** this system operates with an extra strong constant tension spring. Therefore the foil will stay tight on every angel.
- **Chain guided** this system operates with a synthetic chain..
- **Electrical guided** this system operates with a 24Vdc tube engine. This system has varies programmes (does not apply on the small cassette version).

Models

- **Light version** is a standard rolling system which is easy to install.
- **Cassette small** is a small aluminium cassette which can be used on a window with a maximum of 2 meter.
- **Cassette Large** is a large aluminium cassette which can be used on a window with a maximum of 3,5 meter.

Side guiding

- As an extra option, there is also the possibility to add side guiding when the screens are straight.
- This is often an anodising profile whereby the bottom rail is fitted in.

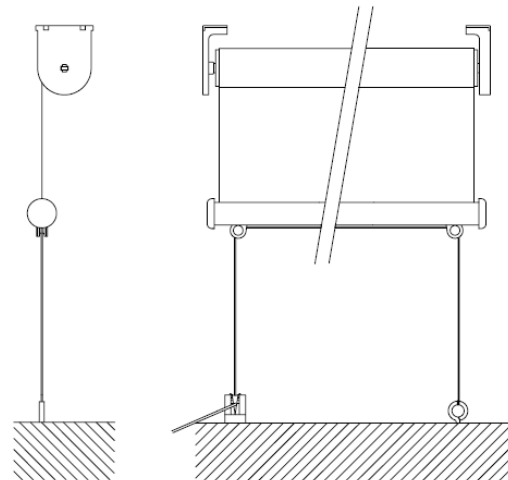


Rietdekkerstraat 6
2984 BM Ridderkerk

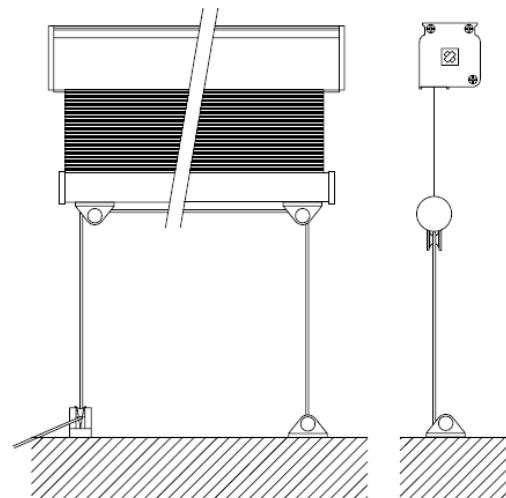
P.O. Box 60
2980 AB Ridderkerk
The Netherlands

Phone +31 (0)180 463 411
Telefax +31 (0)180 463 530
E-mail info@observator.com
www.observator.com

Light version



Small frame version



Large frame version

